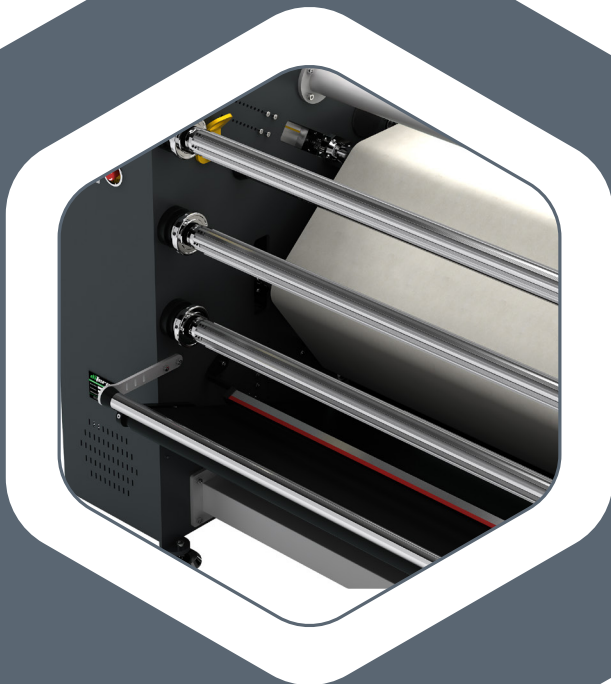




Piece & Roll to Roll Transfer Printing Machine

DP SERIES





PRODUCT INFORMATION

Our latest “DP” Series has evolved and includes many unique new features. We have created a truly cost-effective machine that is built to last, offers multiple configuration choices and the performance required for an efficient high-speed print finishing experience. Whilst mainly used for textile transfer printing, the DP Series can also be used for other heat transfer applications

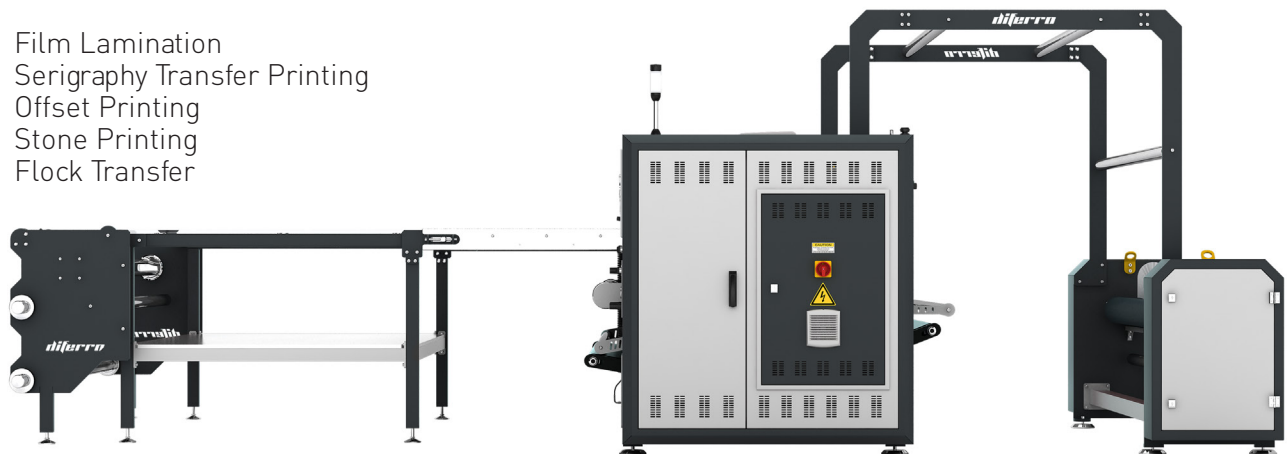


OPERATION TYPES

- Digital Paper Rolls to Pieces of Fabric
- Digital Paper Rolls to Rolls of Fabric
- Digital Paper Pieces to Pieces of Fabric

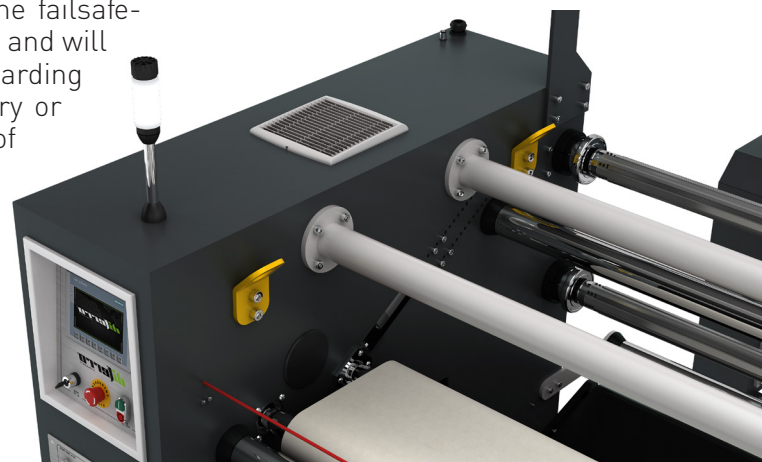
OTHER SCOPE OF USE

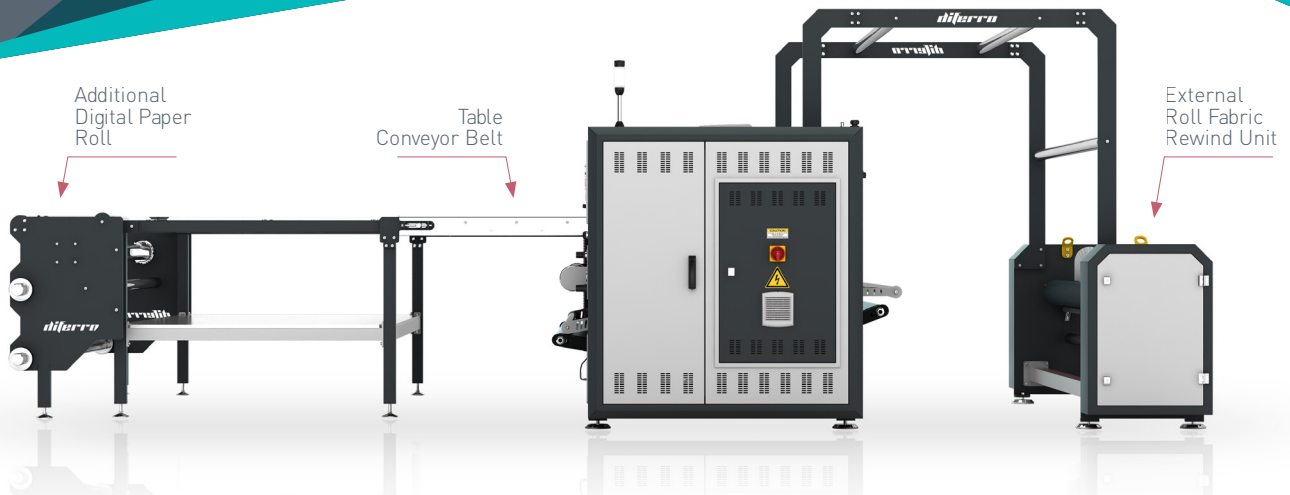
- Film Lamination
- Serigraphy Transfer Printing
- Offset Printing
- Stone Printing
- Flock Transfer



THE DRUM

The drum is made of ST44 drawn steel pipe and all standard models are finished with surface grinding. On request the drum surface can also be plated with either chrome or Teflon. Inside the drum is one single heating unit that consists of three pieces. The drum is filled with transfer heating oil that fills up 60% of the inner volume. The failsafe-switch mechanism helps balance the inner pressure, and will deactivate the machine should there be any issues regarding the gasses generated by heated oil so to avoid injury or damage. The heat sensor is placed on the surface of the drum, this enables more accurate readings and provides better print results. Maximum Working Temperature and Temperature Restrictions can be easily adjusted via the Touch-Screen Panel.





THE FELT BELT

All of our machines are equipped with 100% Nomex seamless industrial felt belts that are reinforced with Kevlar material in order to avoid stretching. The expected lifetime for the belt on this unit is between 3 & 5 years depending on use. In order to eliminate movement of the felt belt to either side the machine is built with an automated-felt centering mechanism. The felt tension and the felt centering system are both air-operated (Pneumatic). Should the compressor fail to supply the required air for the system, the machine halts and alerts the operator to prevent lasting damage to the belt

TOUCH-SCREEN PANEL

- General control of the machine such as speed, temperature etc.
- Meter Counter
- Weekly Programming
- Auto- Cooling
- Touch-screen to Access various functions

MATERIAL INPUT / OUTPUT CONTROLS

Protection Paper

Input : Pneumatic Brake System

Output : Manually Adjusted Automatic Rewind

Digital Paper

Input : Manually Brake System

Output : Manually Adjusted Automatic Rewind

Roll Fabric

Input : Manually Adjusted Fabric Tension System

Output : Manually Adjusted Automatic Rewind

Piece Fabric

Input : Manually laid on table

Output : Potency controlled , off the conveyor belt



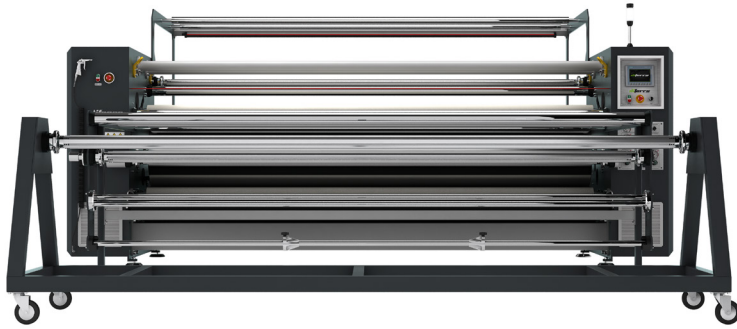


STANDARD AND CUSTOMIZED MACHINE SOLUTIONS



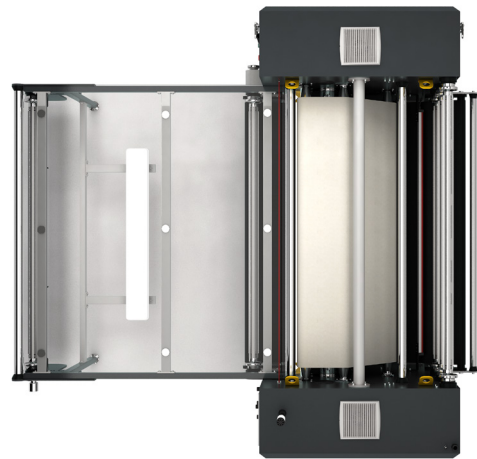
DP-20B600C-COMPACT





TECHNICAL SPECIFICATIONS

Heating System	: Heat Transfer Oil
Max. Temperature	: 220°
Average Heating Time	: 80 min.
Average Cooling Time	: 150 min.
Power Supply	: 380 V – 3 Ph 50/60 Hz
Air Intake (bar)	: Min. 5 – Max. 8
Electrical System	: PLC Control
Felt Tension System	: Pneumatic
Felt Control System	: Automatic
Drive Speed Control	: AC Inverter
Paper Un-wind Re-wind	: Compressed Shaft
Weekly Programming	: Yes
Automatic Shut-Down	: Yes
Safety	: 4 Emergency Buttons – Safety Wire
Software Language	: English (Optional)
Warranty	: 2 years Mechanical, 1 year Electrical (User Fault Exempted)



OPTIONAL OPTIONS

- | | |
|---------------------------------------|---|
| 1 Glass Table and Lightening | 7 UPS Power Supply |
| 2 Static Preventing Wire | 8 External Roll Fabric Rewind Unit |
| 3 Ventilation Hood | 9 Additional Digital Paper Roll |
| 4 Remote Access Module | 10 Pneumatic Crushing Roll |
| 5 Air-Shaft | 11 Lower Table Smoke Suction |
| 6 Chrome or Teflon Plated Drum | 12 Conveyor Belt Installation |

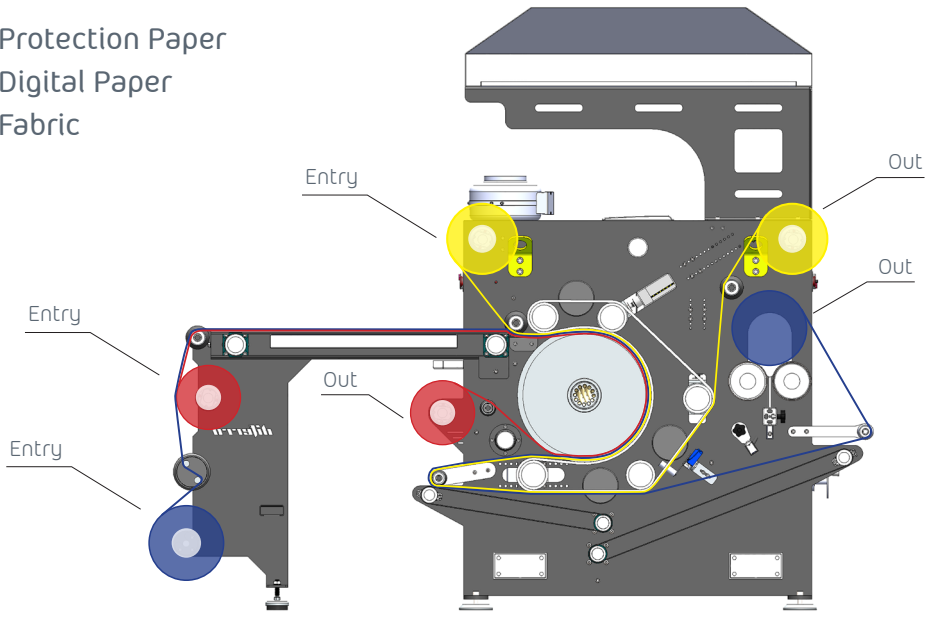


MACHINE DIMENSIONS

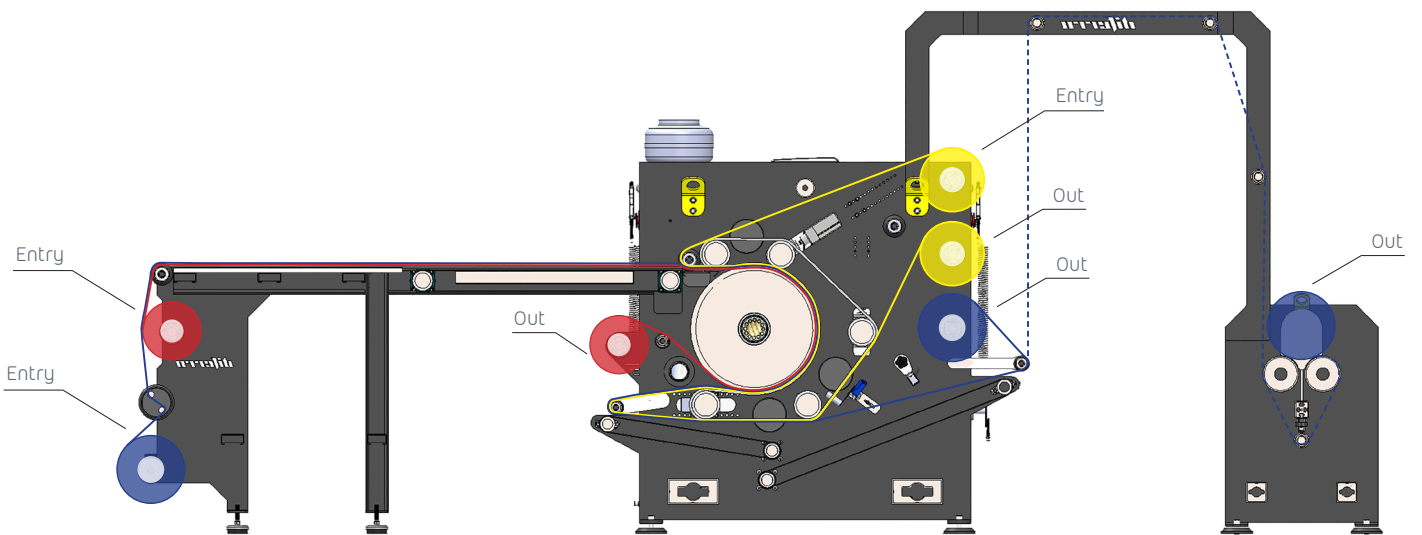
DP SERIES																		
Machine	Drum Diameter		Drum Width		Maximum Working Width		Working Data			Maximum Current Input	Total Power	Average Energy Consumption	Drum Resistance Power	Drum Engine Power	Dimensions (Footprint with Table)	Net Weight	Dimensions of the Shipping Crate	
	Code	mm	inch	mm	inch	mm	m/min	m/hour	m ² /hour	Amp.	Kw	Kw	Kw	Kw	Cm	Kg	Cm	Kg
DP-18B500C	500	19.7"	1800	70.9"	1700	3.30	198	356	89,47	34	22,1	31,5	1,5	300x320x150	2250	325x225x200	2480	
DP-20B500C			2000	78.7"	1900	3.30	198	396	94,74	36	23,4	33,5	1,5	320x320x150	2500	345x225x200	2750	
DP-22B500C			2200	85.6"	2100	3.30	198	436	107,89	41	26,65	38,5	1,5	340x320x150	2750	365x225x200	3000	
DP-26B500C			2600	102.3"	2500	3.30	198	515	144,74	55	35,75	53	1,5	380x320x150	3250	405x225x200	3550	
DP-33B500C			3300	129.9"	3200	3.30	198	653	200,00	76	49,4	73	2,2	450x320x150	4125	475x225x200	4500	
DP-20B600C	600	23.6"	2000	78.7"	1900	4.34	260.4	521	115,79	44	28,6	41,5	1,5	320x330x170	2900	345x235x220	3200	
DP-22B600C			2200	85.6"	2100	4.34	260.4	573	118,42	45	29,25	43	1,5	340x330x170	3200	365x235x220	3500	
DP-26B600C			2600	102.3"	2500	4.34	260.4	677	173,68	66	42,9	63	2,2	380x330x170	3770	405x235x220	4150	
DP-33B600C			3300	129.9"	3200	4.34	260.4	859	226,32	86	55,9	83	2,2	450x330x170	4800	475x235x220	5300	
DP-20B800C	800	31.5"	2000	78.7"	1900	5.40	324	648	134,21	51	33,15	48	2,2	320x350x185	3550	345x255x235	3900	
DP-22B800C			2200	85.6"	2100	5.40	324	713	147,37	56	36,4	53	2,2	340x350x185	3900	365x255x235	4300	
DP-26B800C			2600	102.3"	2500	5.40	324	842	186,84	71	46,15	68	2,2	380x350x185	4620	405x255x235	5100	
DP-33B800C			3300	129.9"	3200	5.40	324	1069	231,58	88	57,2	83	4	450x350x185	5850	475x255x235	6400	
DP-20B1000C	1000	39.4"	2000	78.7"	1900	6.50	390	780	186,84	71	46,15	68	2,2	320x370x200	4200	345x270x250	4600	
DP-22B1000C			2200	85.6"	2100	6.50	390	858	205,26	78	50,7	75	2,2	340x370x200	4630	365x270x250	5000	
DP-26B1000C			2600	102.3"	2500	6.50	390	1014	250,00	95	61,75	90	2,2	380x370x200	5450	405x270x250	5950	
DP-33B1000C			3300	129.9"	3200	6.50	390	1287	318,42	121	78,65	116	4	450x370x200	6900	475x270x250	7550	

SUBLIMATION PROCESS

- Protection Paper
- Digital Paper
- Fabric



DP-20B500C - COMPACT



DP-20B500C

SCOPE OF APPLICATION





diferro[®]
Calenders

Diferro Makina San. ve Tic. Ltd. Şti.

A. Sinpaş İş Modern 2. Kısım B-Blok
No: 16 BAŞAKŞEHİR / İSTANBUL

T. +90 212 608 08 08

F. +90 212 608 04 40

E. info@ddiferro.com.tr



 www.diferro.com.tr

 facebook.com/diferrocalenders

 twitter.com/DCalenders

 instagram.com/diferrocalenders