



Soluții pentru publicitate și decor

2835 LED STRIPS

60/120 LEDs/m



2700k

3000k

4000k

6500k

Features

- Powered by high output 2835 LED.
- 99.99% gold thread, pure copper bracket coated with silver.
- CRI 80 available.
- SDCM ≤ 3 , 1 BIN only.
- Double layer rolled copper FPC.
- 3M 300LSE tape attached.
- CE, RoHS, UL, TUV, BIS, CB and LM-80 certified.

Application

- Linear lighting, city lighting, landscape lighting, commercial lighting and house contour lighting, etc.



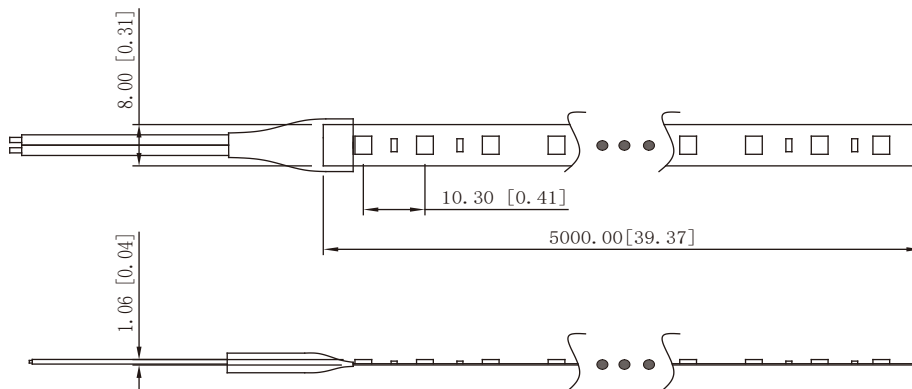
Parameters

Part Number	Dimensions (mm)	LED Type	LED Qty/m	Voltage (V)	Power (W/M)	LM/M	CCT/K	IP Grade
SE60LA1-Y	5000*8	2835	60	DC12/24	6	600	2700-6500	IP20
SEC0LA1-Y	5000*8	2835	120	DC12/24	12	1200	2700-6500	IP20

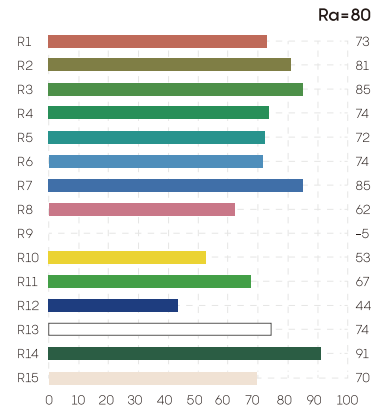
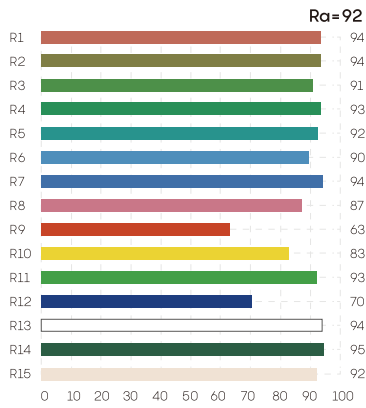
Dimension

Unit: mm

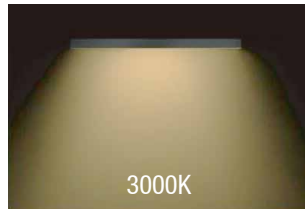
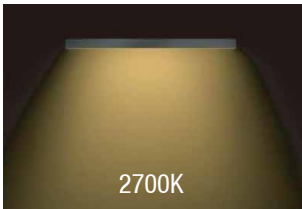
IP 20



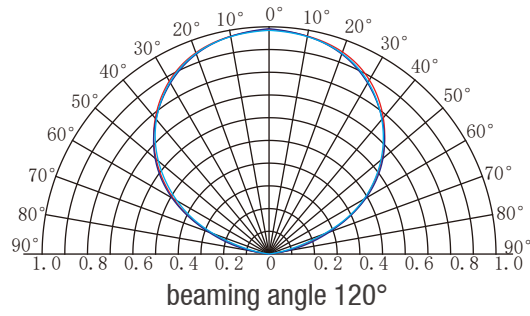
Rendering Index Comparison



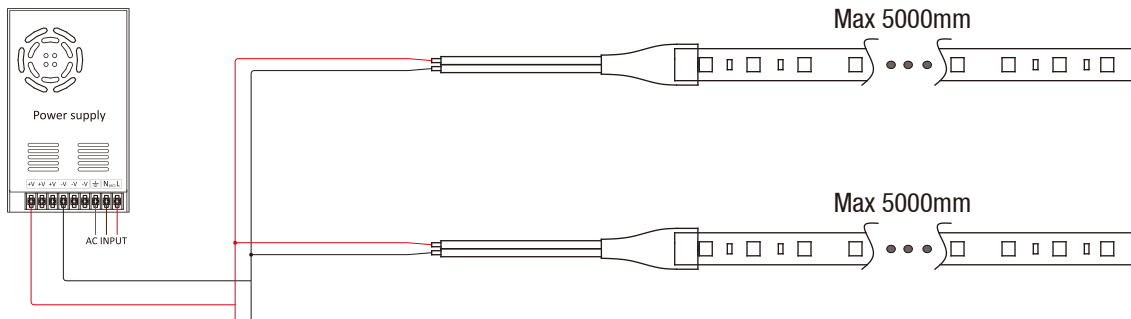
LBY LED Provide Full CCT Range From 2700K to 6000K



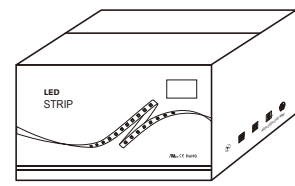
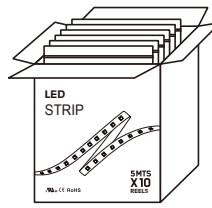
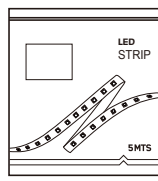
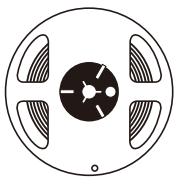
Beaming Angle



Wire Connection



Packing information



5 meters per roll

One roll per antistatic bag

10 rolls per inner box

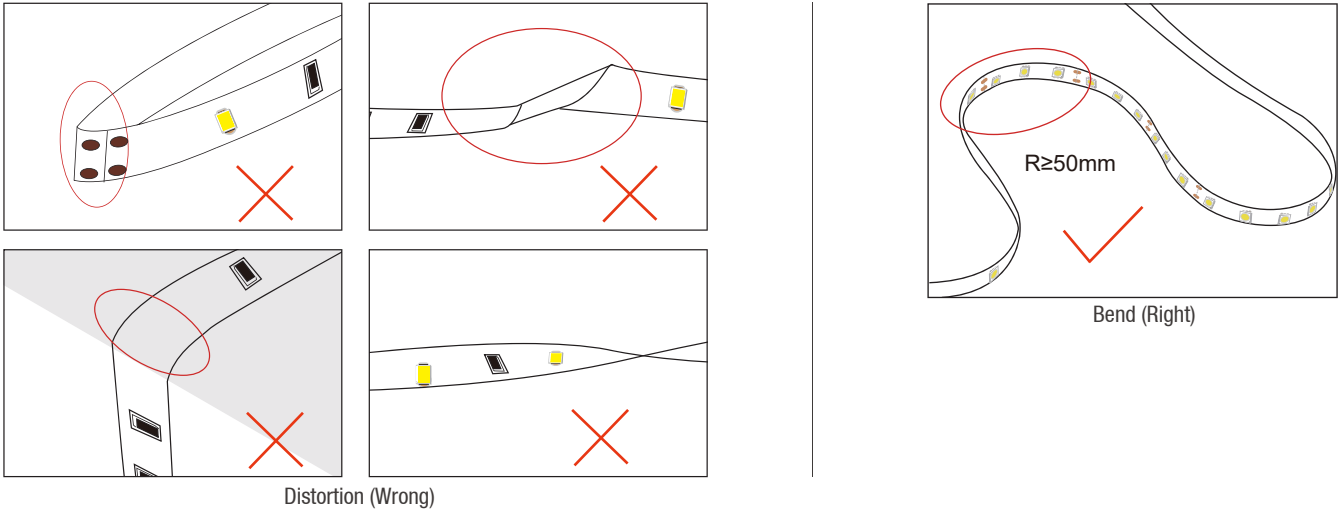
450m per carton IP20

Part Number	Carton Dimension (mm)	Bags Per Carton (pcs)	Quantity Per Carton (m)	Net Weight (kg)	Gross Weight (kg)
SE60LA1	495*450*215	90	450	4.5	7.5
SEC0LA1	495*450*215	90	450	5.0	7.5

Given the packing manner difference, the actual packing information is subject to that for the real products.

Cautions

When install the led strip, please note the installaiton technique. The led strip can be bent, but not distorted, as shown below.



➤ LED strips are low voltage products, you must use the power supply(transformer). Please don't connect the led strip directly to the AC 110V or AC 220V, otherwise it will burn out the LED strips.

➤ Clean up the installation surface, it will ensure the reliability of the adhesive, .The electrical connection process must be operated by a professional person.

Installation Guidance

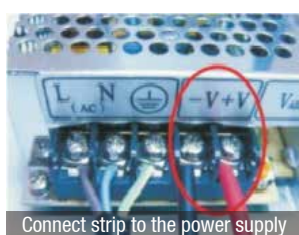
Accessories	Item No.	Description
Solderless Connector	LBY-JXD20-D1/D2/T1/T2	Insert the wire and close the cover
Strip-to-Wire Connector	LBY-N12XB-2G/QJ-SE-N12XB-2G	Insert the wire and strip and ensure secure contact
Strip-to-Strip Connector	LBY-N12BB-2G/QJ-SE-N12BB-2G	Insert both strips and ensure secure contact



- Clean the installation surface.
- Mounting with 3M tape.
 - (1) Unroll the led strip.
 - (2) Peel the adhesive tape.
 - (3) Stick the led strip into place.



- Mounting with clip.
 - (1) Unroll the led strip.
 - (2) Mount with fixing clip and secure with M3*6 screws.



- Connect to the power supply and proceed with insulation treatment. Make sure that the polarity for connection is correct.
Note: Red wire is positive and black wire is negative.
- Electrify the power supply.

Instructions

01. Disassembling or modifying the product is not allowed.
02. Installation with power on is not allowed.
03. Any organic solvent chemical is not allowed.
04. Isolation and corrosion prevention on all wiring points and wire ends.
05. Make sure the power wire is big enough and ensure the voltage and connection are all correct before power on.
06. Installation, maintenance should be done by professional staff.
07. 5M in a serial connection maximum for DC 12/24V strips.
08. The power wire between power supply and LED strips should be less than two meters to keep the same brightness on all parts.

Declaration

01. Warranty: 3 years.
02. To ensure the safety, the broken wires need to be replaced by the manufacturer or the service agent, or by the qualified staff.
03. The given data in the specification is the laboratory data, there may be discrepancy found in the actual products.
04. The given drawings in the specification are only for reference, there may be discrepancy found in the actual products.
05. The products are subject to change without prior notification.

BUCUREȘTI:

bucuresti@verla.ro

Tel: +4 0729 016 484

CLUJ-NAPOCA

cluj@verla.ro

Tel: +4 0721 242 216

IAȘI

iasi@verla.ro

Tel: +4 0745 381 525